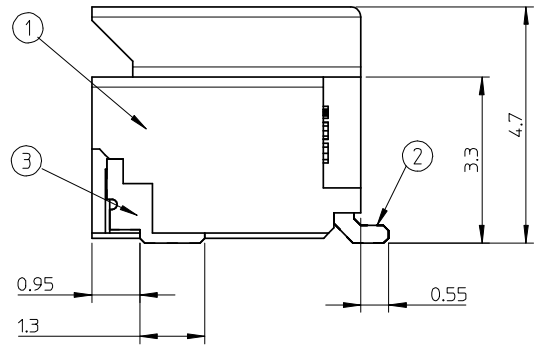
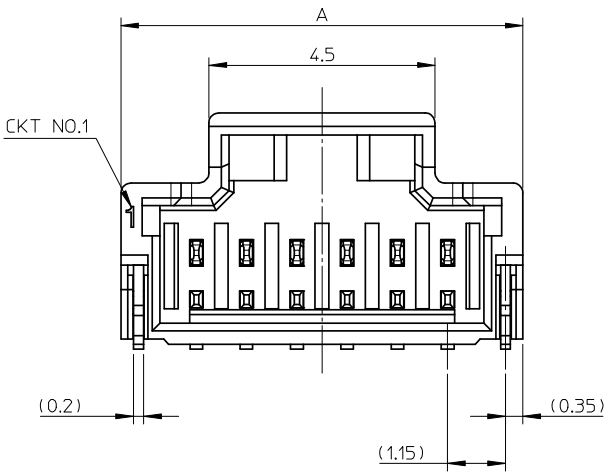


参考パターンレイアウト
RECOMMENDED PATTERN DIM.(REF)
SCALE:5-1



番号 NO.	部品 PART	材質 MATERIAL
①	ウェハー WAFER	耐熱ナイロン、UL94V-0 HEAT RESISTANCE NYLON, UL94V-0
②	ソルダーピン SOLDER PIN	りん青銅 PHOSPHOR BRONZE すずメッキ : 1 MICRO METER MINIMUM. TIN PLATING ニッケル下地メッキ : 1 MICRO METER MINIMUM. NICKEL UNDER PLATING
③	ネイル NAIL	黄銅 BRASS すずメッキ : 1 MICRO METER MINIMUM. TIN PLATING ニッケル下地メッキ : 1 MICRO METER MINIMUM. NICKEL UNDER PLATING

14.0	17.0	501568-15*9	15	501568-***9
13.0	16.0	501568-14*9	14	
12.0	15.0	501568-13*9	13	
11.0	14.0	501568-12*9	12	
10.0	13.0	501568-11*9	11	
9.0	12.0	501568-10*9	10	
8.0	11.0	501568-09*9	9	
7.0	10.0	501568-08*9	8	
6.0	9.0	501568-07*9	7	
5.0	8.0	501568-06*9	6	
B	A	MATERIAL NO.	CKT	MODEL NO.

NOTES
~~~~~

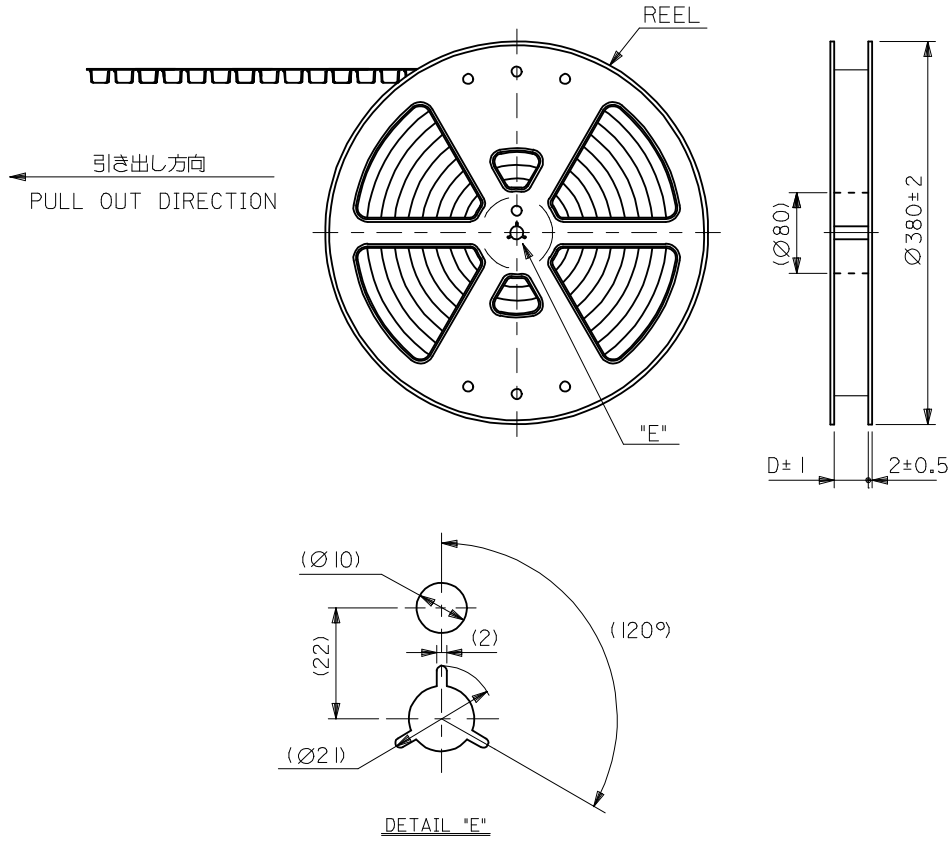
- かん合相手 : 501330-\*\*\*\*  
MATE WITH : 501330-\*\*\*\*
- ソルダーピン及びネイルの平坦度は0.1MAX.  
SOLDER PIN AND NAIL COPLANARITY TO BE 0.1MAX.
- 極数 = 偶数に適用  
APPLY FOR CKT SIZE=EVEN
- 2~5極は、SD-501568-001を参照下さい。  
REFER TO SD-501568-001 ABOUT 2-5CKT.
- ELV AND RoHS COMPLIANT.

|                                                                                                                |             |                                                            |       |                                                                                                                                  |                    |                                                                     |                        |                        |  |
|----------------------------------------------------------------------------------------------------------------|-------------|------------------------------------------------------------|-------|----------------------------------------------------------------------------------------------------------------------------------|--------------------|---------------------------------------------------------------------|------------------------|------------------------|--|
| REVISED<br>EC NO: J2008-3908<br>DRWN:RMAKATA 2008/05/14<br>CHKD:HATSUMOTO 2008/05/14<br>APPR:NUKITA 2008/05/14 | DESCRIPTION | GENERAL TOLERANCES (UNLESS SPECIFIED)                      |       | DIMENSION STYLE<br>MM ONLY                                                                                                       |                    | SCALE<br>10:1                                                       | DESIGN UNITS<br>METRIC | THIRD ANGLE PROJECTION |  |
|                                                                                                                |             | 10 UNDER                                                   | ±0.2  | DRAWN BY<br>AMIZUMURA                                                                                                            | DATE<br>2005/01/19 | TITLE<br>1.0 WIRE TO BOARD CONN.<br>1-ROW R/A WAFER ASSY<br>6-15CKT |                        |                        |  |
|                                                                                                                |             | 10 OVER 30 UNDER                                           | ±0.25 | CHECKED BY<br>MYAGI                                                                                                              | DATE<br>2005/01/19 | MOLEX INCORPORATED                                                  |                        |                        |  |
|                                                                                                                |             | 30 OVER                                                    | ±0.3  | APPROVED BY<br>ANODA                                                                                                             | DATE<br>2005/01/19 | DOCUMENT NO.<br>SD-501568-002                                       |                        |                        |  |
| REV                                                                                                            |             | ANGULAR ±3 °                                               |       | MATERIAL NO.<br>SEE TABLE                                                                                                        |                    | SHEET NO.<br>1 OF 2                                                 |                        |                        |  |
|                                                                                                                |             | DRAFT WHERE APPLICABLE<br>MUST REMAIN<br>WITHIN DIMENSIONS |       | THIS DRAWING CONTAINS INFORMATION THAT IS PROPRIETARY TO MOLEX<br>INCORPORATED AND SHOULD NOT BE USED WITHOUT WRITTEN PERMISSION |                    |                                                                     |                        |                        |  |

| 紫 PA46<br>VIOLET ㊟ | 橙 PA46<br>ORANGE ㊟ | 茶 PA46<br>BROWN ㊟ | 緑 PA46<br>GREEN ㊟ | 青 PA46<br>BLUE ㊟ | 黄 PA46<br>YELLOW ㊟ | 赤 PA46<br>RED ㊟ | 色<br>COLOR |
|--------------------|--------------------|-------------------|-------------------|------------------|--------------------|-----------------|------------|
| 501568-1599        | 501568-1589        | 501568-1579       | 501568-1569       | 501568-1549      | 501568-1539        | 501568-1529     | 15         |
| 501568-1499        | 501568-1489        | 501568-1479       | 501568-1469       | 501568-1449      | 501568-1439        | 501568-1429     | 14         |
| 501568-1399        | 501568-1389        | 501568-1379       | 501568-1369       | 501568-1349      | 501568-1339        | 501568-1329     | 13         |
| 501568-1299        | 501568-1289        | 501568-1279       | 501568-1269       | 501568-1249      | 501568-1239        | 501568-1229     | 12         |
| 501568-1199        | 501568-1189        | 501568-1179       | 501568-1169       | 501568-1149      | 501568-1139        | 501568-1129     | 11         |
| 501568-1099        | 501568-1089        | 501568-1079       | 501568-1069       | 501568-1049      | 501568-1039        | 501568-1029     | 10         |
| 501568-0999        | 501568-0989        | 501568-0979       | 501568-0969       | 501568-0949      | 501568-0939        | 501568-0929     | 9          |
| 501568-0899        | 501568-0889        | 501568-0879       | 501568-0869       | 501568-0849      | 501568-0839        | 501568-0829     | 8          |
| 501568-0799        | 501568-0789        | 501568-0779       | 501568-0769       | 501568-0749      | 501568-0739        | 501568-0729     | 7          |
| 501568-0699        | 501568-0689        | 501568-0679       | 501568-0669       | 501568-0649      | 501568-0639        | 501568-0629     | 6          |
| MATERIAL NO.       | MATERIAL NO.       | MATERIAL NO.      | MATERIAL NO.      | MATERIAL NO.     | MATERIAL NO.       | MATERIAL NO.    | MODEL NO.  |

| 自然色 PA6T<br>NATURAL ㊟ | 色<br>COLOR |
|-----------------------|------------|
| 501568-1509           | 15         |
| 501568-1409           | 14         |
| 501568-1309           | 13         |
| 501568-1209           | 12         |
| 501568-1109           | 11         |
| 501568-1009           | 10         |
| 501568-0909           | 9          |
| 501568-0809           | 8          |
| 501568-0709           | 7          |
| 501568-0609           | 6          |
| MATERIAL NO.          | MODEL NO.  |

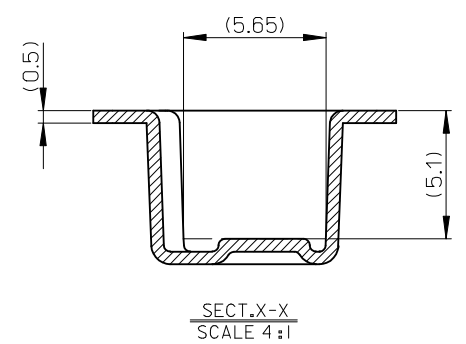
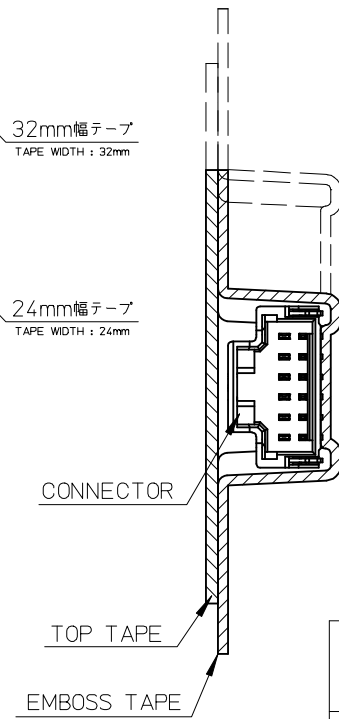
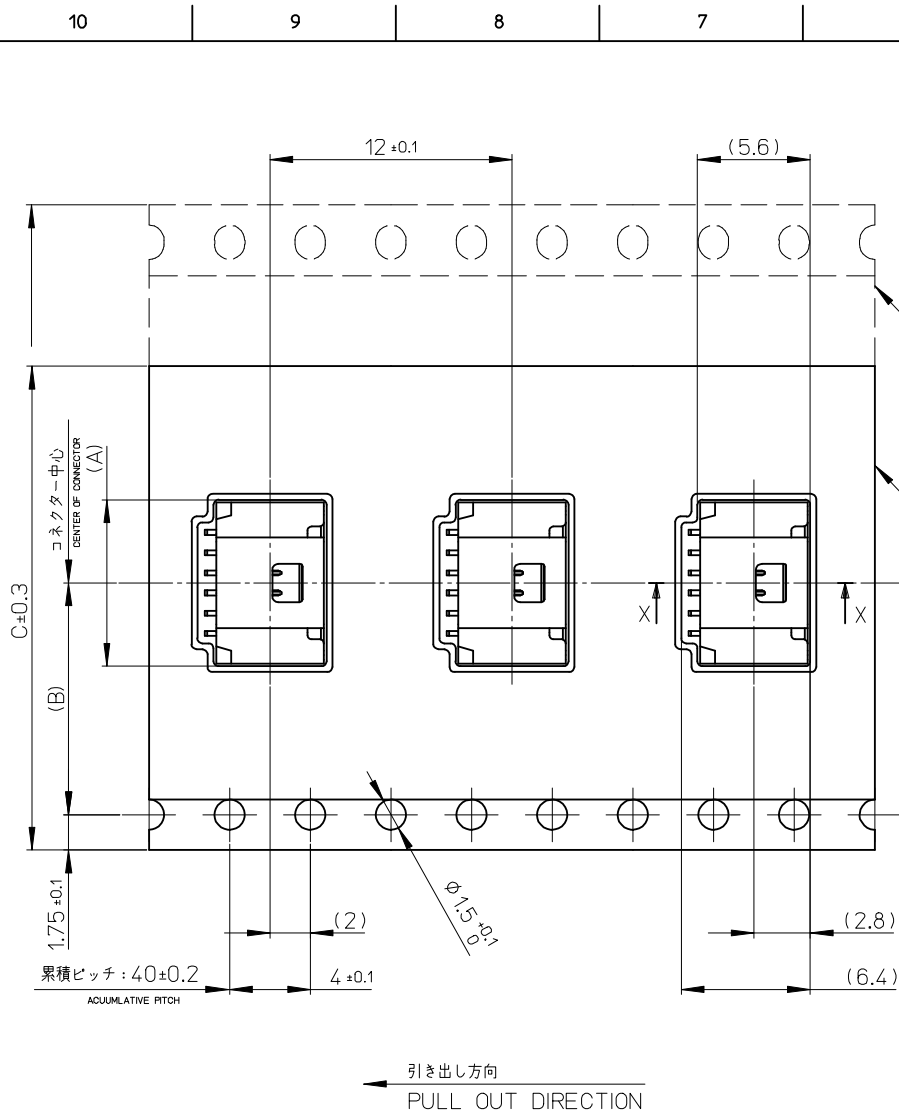
|                                                                                                                               |                                       |              |                            |               |                    |                        |                                                                     |
|-------------------------------------------------------------------------------------------------------------------------------|---------------------------------------|--------------|----------------------------|---------------|--------------------|------------------------|---------------------------------------------------------------------|
| REVISED<br>EC NO: J2008-3908<br>DR: W. NAKATA 2008/05/14<br>CHK: D. MATSUMOTO 2008/05/14<br>APPR: N. UKITA 2008/05/14         | GENERAL TOLERANCES (UNLESS SPECIFIED) |              | DIMENSION STYLE<br>MM ONLY |               | SCALE<br>---       | DESIGN UNITS<br>METRIC | THIRD ANGLE PROJECTION                                              |
|                                                                                                                               | 10 UNDER                              | ±0.2         | DRAWN BY<br>AMIZUMURA      |               | DATE<br>2005/01/19 |                        | TITLE<br>1.0 WIRE TO BOARD CONN.<br>1-ROW R/A WAFER ASSY<br>6-15CKT |
|                                                                                                                               | 10 OVER 30 UNDER                      | ±0.25        | CHECKED BY<br>MYAGI        |               | DATE<br>2005/01/19 |                        |                                                                     |
|                                                                                                                               | 30 OVER                               | ±0.3         | APPROVED BY<br>ANODA       |               | DATE<br>2005/01/19 |                        | MOLEX INCORPORATED                                                  |
| ANGULAR ±3°                                                                                                                   |                                       | MATERIAL NO. |                            | DOCUMENT NO.  |                    |                        |                                                                     |
| DRAFT WHERE APPLICABLE MUST REMAIN WITHIN DIMENSIONS                                                                          |                                       | SEE TABLE    |                            | SD-501568-002 |                    | SHEET NO.<br>2 OF 2    |                                                                     |
| THIS DRAWING CONTAINS INFORMATION THAT IS PROPRIETARY TO MOLEX INCORPORATED AND SHOULD NOT BE USED WITHOUT WRITTEN PERMISSION |                                       |              |                            |               |                    |                        |                                                                     |



NOTES

- 製品詳細寸法は製品単体図面を参照して下さい。  
FOR DETAIL OF CONNECTOR DIMENSIONS, PLEASE SEE THE DRAWING OF CONNECTOR ITSELF (NOT PACKAGED).
- 梱包数量：1300個/リール  
NUMBER OF CONNECTORS：1300PIECES/REEL
- リードテープ長さ  
LEAD TAPE LENGTH
- 材料  
MATERIAL  
キャリアテープ：ポリプロピレン  
CARRIER TAPE:POLYPROPYLENE  
トップテープ：PET, PE, REF  
TOP TAPE  
リール：ポリスチレン <リサイクル材を含む>  
REEL: POLYSTYRENE <RECYCLE MATERIAL CONTAINED>
- ELV AND RoHS COMPLIANT.
- ハイバリア梱包（シリカゲル入り）対応品である。（501568-\*\*07除く）  
THIS PRODUCT IS HIGH BARRIER PACKAGE.(WITH SILICAGEL)  
(BESIDES 501568-\*\*07)
- 開梱後の保管条件に注意のこと。（ハイバリア品対象：PS-501568-001参照）  
REFER TO PS-501568-001(HIGH BARRIER PRODUCT)  
FOR CONDITIONS AFTER OPEN.

|                                                                                                                   |                                       |            |                            |                                                                                                                               |                                                                          |                        |                        |
|-------------------------------------------------------------------------------------------------------------------|---------------------------------------|------------|----------------------------|-------------------------------------------------------------------------------------------------------------------------------|--------------------------------------------------------------------------|------------------------|------------------------|
| REVISED<br>EC NO: J2009-0344<br>DRW: RAKATA 2008/09/01<br>CHK: D: MATSUMOTO 2008/09/01<br>APPR: NUKITA 2008/09/01 | GENERAL TOLERANCES (UNLESS SPECIFIED) |            | DIMENSION STYLE<br>MM ONLY |                                                                                                                               | SCALE<br>---                                                             | DESIGN UNITS<br>METRIC | THIRD ANGLE PROJECTION |
|                                                                                                                   | 10 UNDER                              | ±0.2       | DRAWN BY<br>AMIZUMURA      | DATE<br>2005/1/26                                                                                                             | TITLE<br>1.0 WIRE TO BOARD CONN.<br>WAFER ASS'Y (1-ROW R/A)<br>EMBTP PKG |                        |                        |
|                                                                                                                   | 10 OVER 30 UNDER                      | ±0.25      | CHECKED BY<br>MYAGI        | DATE<br>2005/1/26                                                                                                             |                                                                          |                        |                        |
|                                                                                                                   | 30 OVER                               | ±0.3       | APPROVED BY<br>ANODA       | DATE<br>2005/1/26                                                                                                             | MOLEX INCORPORATED<br>SEE TABLE<br>SD-501568-006<br>SHEET NO. 1 OF 3     |                        |                        |
|                                                                                                                   | ANGULAR ±1 °                          |            | MATERIAL NO.               | DOCUMENT NO.                                                                                                                  |                                                                          |                        |                        |
| DRAFT WHERE APPLICABLE MUST REMAIN WITHIN DIMENSIONS                                                              |                                       | SIZE<br>A3 |                            | THIS DRAWING CONTAINS INFORMATION THAT IS PROPRIETARY TO MOLEX INCORPORATED AND SHOULD NOT BE USED WITHOUT WRITTEN PERMISSION |                                                                          |                        |                        |



|      |    |      |      |             |              |       |
|------|----|------|------|-------------|--------------|-------|
| 33.5 | 32 | 14.2 | 17.3 | 501568-15*9 | 501568-15*7  | 15    |
|      |    |      | 16.3 | 501568-14*9 | 501568-14*7  | 14    |
|      |    |      | 15.3 | 501568-13*9 | 501568-13*7  | 13    |
| 25.5 | 24 | 11.5 | 14.3 | 501568-12*9 | 501568-12*7  | 12    |
|      |    |      | 13.3 | 501568-11*9 | 501568-11*7  | 11    |
|      |    |      | 12.3 | 501568-10*9 | 501568-10*7  | 10    |
|      |    |      | 11.3 | 501568-09*9 | 501568-09*7  | 9     |
|      |    |      | 10.3 | 501568-08*9 | 501568-08*7  | 8     |
|      |    |      | 9.3  | 501568-07*9 | 501568-07*7  | 7     |
|      |    |      | 8.3  | 501568-06*9 | 501568-06*7  | 6     |
| D    | C  | (B)  | (A)  | CONNECTOR   | MATERIAL NO. | CKTS. |

|                                                                                                                |                                       |                                                                                                                               |                            |                    |                                                                 |              |                        |           |                        |  |
|----------------------------------------------------------------------------------------------------------------|---------------------------------------|-------------------------------------------------------------------------------------------------------------------------------|----------------------------|--------------------|-----------------------------------------------------------------|--------------|------------------------|-----------|------------------------|--|
| REVISED<br>EC NO: J2009-0344<br>DRW: RAKATA 2008/09/01<br>CHK: HATSUMOTO 2008/09/01<br>APPR: NUKITA 2008/09/01 | GENERAL TOLERANCES (UNLESS SPECIFIED) |                                                                                                                               | DIMENSION STYLE<br>MM ONLY |                    | SCALE<br>---                                                    |              | DESIGN UNITS<br>METRIC |           | THIRD ANGLE PROJECTION |  |
|                                                                                                                | 10 UNDER                              | ±0.2                                                                                                                          | DRAWN BY                   | DATE               | TITLE                                                           |              |                        |           |                        |  |
|                                                                                                                | 10 OVER 30 UNDER                      | ±0.25                                                                                                                         | AMIZUMURA                  | 2005/1/26          | 1.0 WIRE TO BOARD CONN.<br>WAFER ASS'Y (1-ROW R/A)<br>EMBTP PKG |              |                        |           |                        |  |
|                                                                                                                | 30 OVER                               | ±0.3                                                                                                                          | CHECKED BY                 | DATE               |                                                                 |              |                        |           |                        |  |
| ANGULAR ±3 °                                                                                                   |                                       | MYAGI                                                                                                                         | 2005/1/26                  | MOLEX INCORPORATED |                                                                 |              |                        |           |                        |  |
| DRAFT WHERE APPLICABLE MUST REMAIN WITHIN DIMENSIONS                                                           |                                       | APPROVED BY                                                                                                                   | DATE                       |                    |                                                                 |              |                        |           |                        |  |
|                                                                                                                |                                       | ANODA                                                                                                                         | 2005/1/26                  | MATERIAL NO.       |                                                                 | DOCUMENT NO. |                        | SHEET NO. |                        |  |
|                                                                                                                |                                       | SEE TABLE                                                                                                                     |                            | SD-501568-006      |                                                                 | 2 OF 3       |                        |           |                        |  |
|                                                                                                                |                                       | THIS DRAWING CONTAINS INFORMATION THAT IS PROPRIETARY TO MOLEX INCORPORATED AND SHOULD NOT BE USED WITHOUT WRITTEN PERMISSION |                            |                    |                                                                 |              |                        |           |                        |  |

CONFIDENTIAL

| 紫<br>VIOLET |              | 橙<br>ORANGE |              | 茶<br>BROWN  |              | 色<br>COLOR |             |
|-------------|--------------|-------------|--------------|-------------|--------------|------------|-------------|
| 501568-1599 | 501568-1597  | 501568-1589 | 501568-1587  | 501568-1579 | 501568-1577  | 15         | 501568-***7 |
| 501568-1499 | 501568-1497  | 501568-1489 | 501568-1487  | 501568-1479 | 501568-1477  | 14         |             |
| 501568-1399 | 501568-1397  | 501568-1389 | 501568-1387  | 501568-1379 | 501568-1377  | 13         |             |
| 501568-1299 | 501568-1297  | 501568-1289 | 501568-1287  | 501568-1279 | 501568-1277  | 12         |             |
| 501568-1199 | 501568-1197  | 501568-1189 | 501568-1187  | 501568-1179 | 501568-1177  | 11         |             |
| 501568-1099 | 501568-1097  | 501568-1089 | 501568-1087  | 501568-1079 | 501568-1077  | 10         |             |
| 501568-0999 | 501568-0997  | 501568-0989 | 501568-0987  | 501568-0979 | 501568-0977  | 9          |             |
| 501568-0899 | 501568-0897  | 501568-0889 | 501568-0887  | 501568-0879 | 501568-0877  | 8          |             |
| 501568-0799 | 501568-0797  | 501568-0789 | 501568-0787  | 501568-0779 | 501568-0777  | 7          |             |
| 501568-0699 | 501568-0697  | 501568-0689 | 501568-0687  | 501568-0679 | 501568-0677  | 6          |             |
| CONNECTOR   | MATERIAL NO. | CONNECTOR   | MATERIAL NO. | CONNECTOR   | MATERIAL NO. | CKT.       | MODEL NO.   |

| 緑<br>GREEN  |              | 青<br>BLUE   |              | 黄<br>YELLOW |              | 赤<br>RED    |              | 色<br>COLOR |             |
|-------------|--------------|-------------|--------------|-------------|--------------|-------------|--------------|------------|-------------|
| 501568-1569 | 501568-1567  | 501568-1549 | 501568-1547  | 501568-1539 | 501568-1537  | 501568-1529 | 501568-1527  | 15         | 501568-***7 |
| 501568-1469 | 501568-1467  | 501568-1449 | 501568-1447  | 501568-1439 | 501568-1437  | 501568-1429 | 501568-1427  | 14         |             |
| 501568-1369 | 501568-1367  | 501568-1349 | 501568-1347  | 501568-1339 | 501568-1337  | 501568-1329 | 501568-1327  | 13         |             |
| 501568-1269 | 501568-1267  | 501568-1249 | 501568-1247  | 501568-1239 | 501568-1237  | 501568-1229 | 501568-1227  | 12         |             |
| 501568-1169 | 501568-1167  | 501568-1149 | 501568-1147  | 501568-1139 | 501568-1137  | 501568-1129 | 501568-1127  | 11         |             |
| 501568-1069 | 501568-1067  | 501568-1049 | 501568-1047  | 501568-1039 | 501568-1037  | 501568-1029 | 501568-1027  | 10         |             |
| 501568-0969 | 501568-0967  | 501568-0949 | 501568-0947  | 501568-0939 | 501568-0937  | 501568-0929 | 501568-0927  | 9          |             |
| 501568-0869 | 501568-0867  | 501568-0849 | 501568-0847  | 501568-0839 | 501568-0837  | 501568-0829 | 501568-0827  | 8          |             |
| 501568-0769 | 501568-0767  | 501568-0749 | 501568-0747  | 501568-0739 | 501568-0737  | 501568-0729 | 501568-0727  | 7          |             |
| 501568-0669 | 501568-0667  | 501568-0649 | 501568-0647  | 501568-0639 | 501568-0637  | 501568-0629 | 501568-0627  | 6          |             |
| CONNECTOR   | MATERIAL NO. | CONNECTOR   | MATERIAL NO. | CONNECTOR   | MATERIAL NO. | CONNECTOR   | MATERIAL NO. | CKT.       | MODEL NO.   |

| 自然色<br>NATURAL |              | 色<br>COLOR |              |
|----------------|--------------|------------|--------------|
| 501568-1509    | 501568-1507  | 15         | 501568-***07 |
| 501568-1409    | 501568-1407  | 14         |              |
| 501568-1309    | 501568-1307  | 13         |              |
| 501568-1209    | 501568-1207  | 12         |              |
| 501568-1109    | 501568-1107  | 11         |              |
| 501568-1009    | 501568-1007  | 10         |              |
| 501568-0909    | 501568-0907  | 9          |              |
| 501568-0809    | 501568-0807  | 8          |              |
| 501568-0709    | 501568-0707  | 7          |              |
| 501568-0609    | 501568-0607  | 6          |              |
| CONNECTOR      | MATERIAL NO. | CKT.       | MODEL NO.    |

|                                                                                                                        |                                                            |                                                                                                                               |                            |                   |                                                                          |                               |                           |
|------------------------------------------------------------------------------------------------------------------------|------------------------------------------------------------|-------------------------------------------------------------------------------------------------------------------------------|----------------------------|-------------------|--------------------------------------------------------------------------|-------------------------------|---------------------------|
| REVISED<br>EC NO: J2009-0344<br>DRW: RYUKAKATA 2008/09/01<br>CHKD: H. MATSUMOTO 2008/09/01<br>APPR: N. IITA 2008/09/01 | GENERAL TOLERANCES<br>(UNLESS SPECIFIED)                   |                                                                                                                               | DIMENSION STYLE<br>MM ONLY |                   | SCALE<br>---                                                             | DESIGN UNITS<br>METRIC        | THIRD ANGLE<br>PROJECTION |
|                                                                                                                        | 10 UNDER                                                   | ± ---                                                                                                                         | DRAWN BY<br>AMIZUMURA      | DATE<br>2005/1/26 | TITLE<br>1.0 WIRE TO BOARD CONN.<br>WAFER ASS'Y (1-ROW R/A)<br>EMBTP PKG |                               |                           |
|                                                                                                                        | 10 OVER 30 UNDER                                           | ± ---                                                                                                                         | CHECKED BY<br>MYAGI        | DATE<br>2005/1/26 | MOLEX INCORPORATED                                                       |                               |                           |
|                                                                                                                        | 30 OVER                                                    | ± ---                                                                                                                         | APPROVED BY<br>ANODA       | DATE<br>2005/1/26 | MATERIAL NO.<br>SEE TABLE                                                | DOCUMENT NO.<br>SD-501568-006 | SHEET NO.<br>3 OF 3       |
|                                                                                                                        | ANGULAR ± --- °                                            | THIS DRAWING CONTAINS INFORMATION THAT IS PROPRIETARY TO MOLEX INCORPORATED AND SHOULD NOT BE USED WITHOUT WRITTEN PERMISSION |                            |                   |                                                                          |                               |                           |
|                                                                                                                        | DRAFT WHERE APPLICABLE<br>MUST REMAIN<br>WITHIN DIMENSIONS |                                                                                                                               |                            |                   |                                                                          |                               |                           |